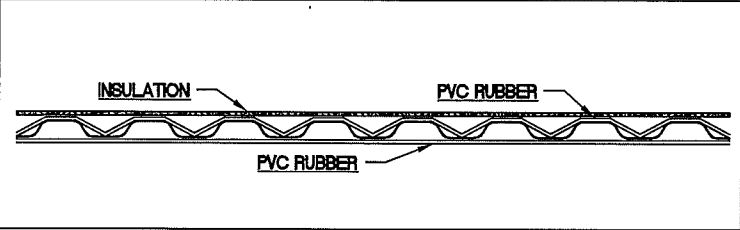
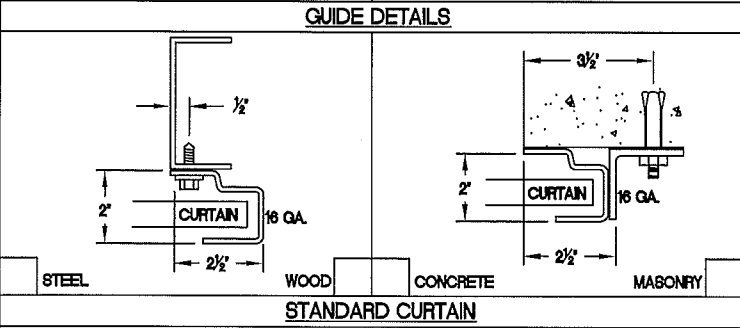
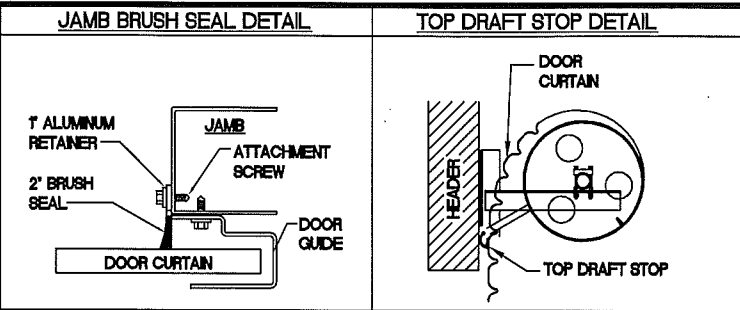


ELEVATION

SECTION-A-A

PLAN VIEW



**GENERAL NOTES:**  
**CURTAIN:**  
 26 GAUGE GALVANIZED STEEL WITH BAKED ON EPOXY PRIMER AND POLYESTER TOP COAT  
**GUIDES:**  
 ROLL FORMED 16 GAUGE GALVANIZED STEEL  
**OPERATION:**  
 RIGHT HAND SHOWN, LEFT HAND OPPOSITE  
**OTHER SURFACES:**  
 GALVANIZED OR SHOP COAT PRIMER  
**INSULATION:**  
 MYLAR AND POLYETHYLENE INSULATION LAMINATED TO BACK OF CURTAIN.

SIDE ROOM REQUIREMENTS				SEE 'ELEVATION'	
<input checked="" type="checkbox"/>	CHOOSE TYPE OF OPERATION BELOW	A-1	A-2		
<input type="checkbox"/>	HAND-ROPE PULL	6'	6'		
<input type="checkbox"/>	REDUCTION GEAR CHAIN HOIST	10'	6'		
<input checked="" type="checkbox"/>	ELECTRIC MOTOR OPERATOR KIT	10'	6'		

MRK.	QTY.	OPENING SIZE		OPERATION	R.H.	CLEARANCES		OPTION	PROJECT:	ARCHITECT:	CONTRACTOR:	DISTRIBUTOR:	DATE:	SHEET:	OF:	BY:	REF.#	
		WIDTH 'W'	HEIGHT 'H'			L.H.	'X'											'Y'



4255 McEver Industrial Dr.  
 Acworth, GA 30101  
 PH: (770) 974-2600  
 Fax: (770) 974-1455  
 www.astadoor.com

Asta Door Corporation is not responsible for the use of improper installation procedures, structural supports as well as field inspection prior to manufacturing and installation.

APPROVAL SIGNATURE: \_\_\_\_\_ DATE: \_\_\_\_\_

MODEL 202 INSULATED COMMERCIAL SHEET DOOR w/ MOTOR