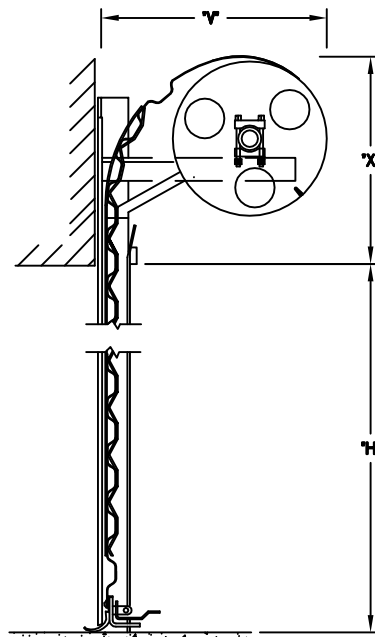
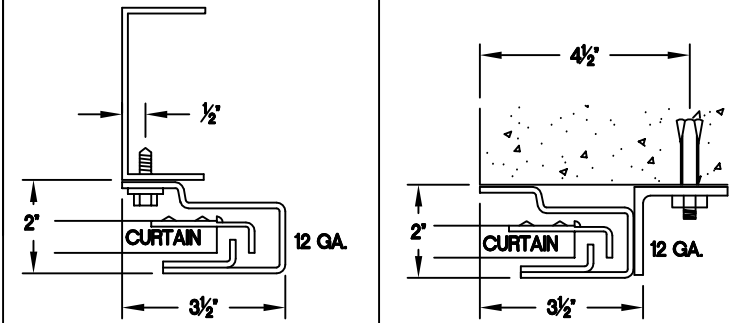


ELEVATION



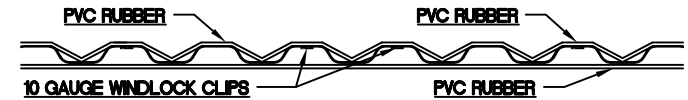
SECTION-A-A

GUIDE DETAILS



STEEL
 WOOD
 CONCRETE
 MASONRY

STANDARD CURTAIN



GENERAL NOTES:

CURTAIN:

- 26 GAUGE GALVANIZED STEEL WITH BAKED ON EPOXY PRIMER AND POLYESTER TOP COAT

GUIDES:

- ROLL FORMED 12 GAUGE GALVANIZED STEEL WITH 12 GAUGE WINDLOCK INSERT

OPERATION:

- RIGHT HAND SHOWN, LEFT HAND OPPOSITE

OTHER SURFACES:

- GALVANIZED OR SHOP COAT PRIMER

SIDE ROOM REQUIREMENTS

<input checked="" type="checkbox"/>	CHOOSE TYPE OF OPERATION BELOW	SEE 'ELEVATION'	
<input checked="" type="checkbox"/>	HAND-ROPE PULL	A-1	A-2
<input checked="" type="checkbox"/>	REDUCTION GEAR CHAIN HOIST	7'	7'
<input checked="" type="checkbox"/>	ELECTRIC MOTOR OPERATOR KIT	10'	7'

MRK.	QTY.	OPENING SIZE		OPERATION	R.H.	CLEARANCES		OPTION
		WIDTH 'W'	HEIGHT 'H'			L.H.	'X'	

PROJECT:
ARCHITECT:
CONTRACTOR:
DISTRIBUTOR:



4255 McEver Industrial Dr.
 Acworth, GA 30101
 PH:(770) 974-2600
 Fax:(770) 974-1455
 www.astadoor.com

DATE: **SHEET:** **OF:** **BY:** **REF:#**
MODEL 203 WINDLOCK COMMERCIAL SHEET DOOR

Asta Door Corporation is not responsible for the use of improper installation procedures, structural supports as well as field inspection prior to manufacturing and installation.

APPROVAL SIGNATURE: _____ **DATE:** _____