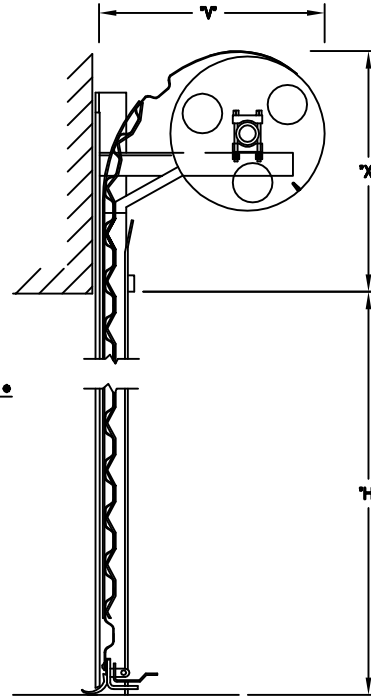


ELEVATION

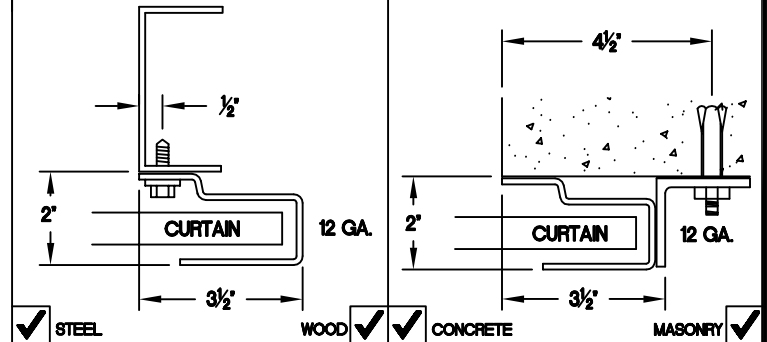


SECTION-A-A

**WIND-BARS \***

ALL INTERMEDIATE SHEETS REINFORCED WITH 3/4" X 3/4" STEEL SQUARE TUBING FASTENED TO CURTAIN WITH 3/16" STEEL RIVETS.

**GUIDE DETAILS**



**STANDARD CURTAIN**



**GENERAL NOTES:**

**CURTAIN:**

- 26 GAUGE GALVANIZED STEEL WITH BAKED ON EPOXY PRIMER AND POLYESTER TOP COAT

**GUIDES:**

- ROLL FORMED 12 GAUGE GALVANIZED STEEL

**OPERATION:**

- RIGHT HAND SHOWN, LEFT HAND OPPOSITE

**WIND-BAR:**

- 3/4" x 3/4" STEEL SQUARE TUBING RIVETED TO CENTER OF ALL INTERMEDIATE PANELS.

**OTHER SURFACES:**

- GALVANIZED OR SHOP COAT PRIMER

**SIDE ROOM REQUIREMENTS**

<input checked="" type="checkbox"/>	CHOOSE TYPE OF OPERATION BELOW	SEE 'ELEVATION'	
<input checked="" type="checkbox"/>	HAND-ROPE PULL	A-1	A-2
<input checked="" type="checkbox"/>	REDUCTION GEAR CHAIN HOIST	7'	7'
<input checked="" type="checkbox"/>	ELECTRIC MOTOR OPERATOR KIT	10'	7'

MRK.	QTY.	OPENING SIZE		OPERATION	R.H.	CLEARANCES	
		WIDTH 'W'	HEIGHT 'H'			L.H.	'X'

PROJECT:  
ARCHITECT:  
CONTRACTOR:  
DISTRIBUTOR:



4255 McEver Industrial Dr.  
Acworth, GA 30101  
PH:(770) 974-2600  
Fax:(770) 974-1455  
www.astadoor.com

DATE: SHEET: OF: BY: REF:#  
**MODEL 205 WIND-BAR COMMERCIAL SHEET DOOR**

Asta Door Corporation is not responsible for the use of improper installation procedures, structural supports as well as field inspection prior to manufacturing and installation.

APPROVAL SIGNATURE: \_\_\_\_\_ DATE: \_\_\_\_\_