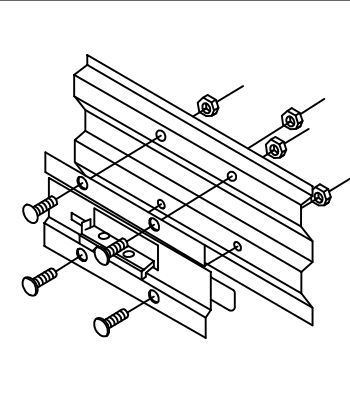


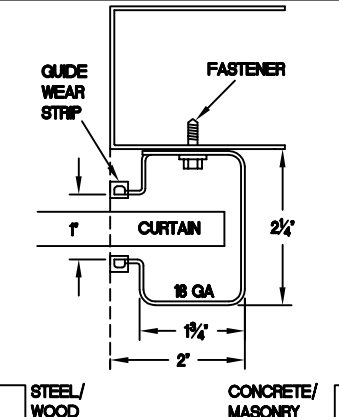
ELEVATION

SECTION-A-A

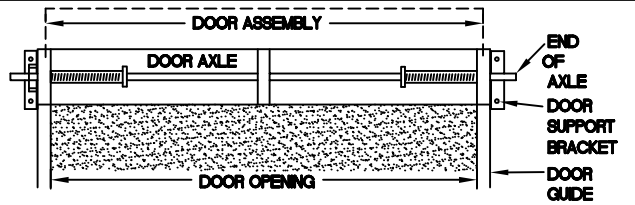
MODEL 281 MINI LOCK ASSEMBLY



GUIDE DETAIL



ELEVATION DETAIL




CLEARANCE REQUIREMENTS

OPENING HEIGHT	HEADROOM		SIDEROOM (PER SIDE)	
	(X)	(V)	BACK OF GUIDES	
UP TO 8'	16'	17'	OUTSIDE OF BRACKET	3 1/4'
UP TO 10'	17'	18'	END OF AXLE	5'

GENERAL NOTES:

- CURTAIN:**
- 26 GAUGE GALVANIZED STEEL WITH BAKED ON EPOXY PRIMER AND POLYESTER TOP COAT
- GUIDES:**
- ROLL FORMED 18 GAUGE GALVANIZED STEEL
- OPERATION:**
- RIGHT HAND SHOWN, LEFT HAND OPPOSITE
- OTHER SURFACES:**
- GALVANIZED
- INSULATION:**
- MYLAR AND POLYETHYLENE
 - INSULATION LAMINATED TO BACK OF CURTAIN
 - JAMB BRUSH SEAL
 - TOP DRAFT STOP

OPERATION	A1	A2
MANUAL PUSH-UP	3 1/4"	3 1/4"

MRK.	QTY.	OPENING SIZE		OPERATION	R.H.	L.H.	OPTION	PROJECT:	ARCHITECT:	CONTRACTOR:	DISTRIBUTOR:	DATE:	SHEET:	OF:	BY:	REF.#	 4255 McEver Industrial Dr. Acworth, GA 30101 PH:(770) 924-2600 Fax:(770) 974-1455 www.astadoor.com
		WIDTH "W"	HEIGHT "H"														

Asta Door Corporation is not responsible for the use of improper installation procedures, structural supports as well as field inspection prior to manufacturing and installation.

APPROVAL SIGNATURE: _____ DATE: _____

MODEL 282-MINI/SELF STORAGE INSULATED DOOR