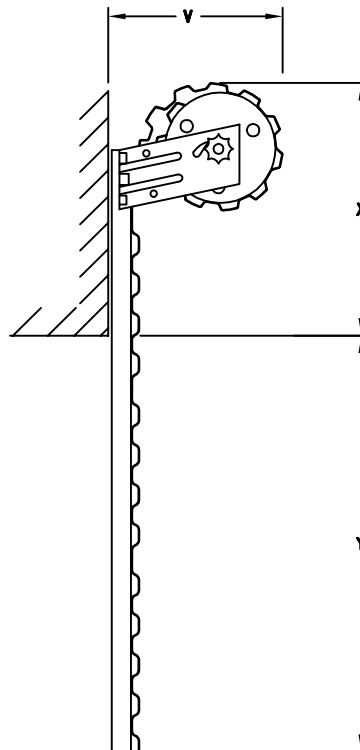


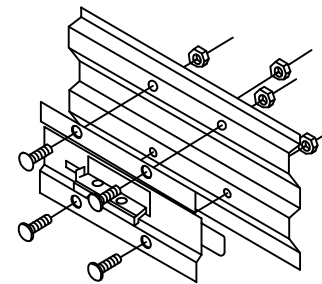
ELEVATION



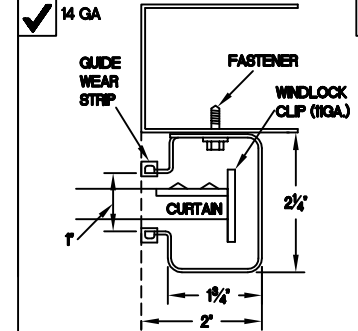
SECTION-A-A

OPERATION	A1	A2
MANUAL PUSH-UP	3 1/4"	3 1/4"

MODEL 281 MINI LOCK ASSEMBLY



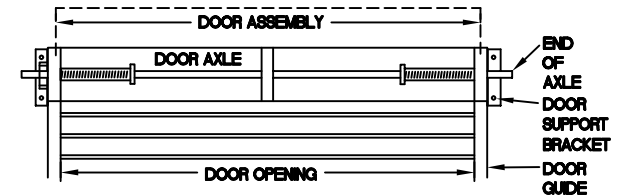
GUIDE DETAIL



STEEL/
WOOD

CONCRETE/
MASONRY

ELEVATION DETAIL



CLEARANCE REQUIREMENTS

OPENING HEIGHT	HEADROOM		SIDEROOM (PER SIDE)	
	(X)	(V)	BACK OF GUIDES	
UP TO 8'	16'	17'	OUTSIDE OF BRACKET	2'
UP TO 10'	17'	18'	END OF AXLE	3 1/4'
				5'

GENERAL NOTES:

CURTAIN:

- 26 GAUGE GALVANIZED STEEL WITH BAKED ON EPOXY PRIMER AND POLYESTER TOP COAT

GUIDES:

- ROLL FORMED 18 OR 14 GAUGE GALVANIZED STEEL WITH 11 GAUGE WINDLOCK INSERT

OPERATION:

- RIGHT HAND SHOWN, LEFT HAND OPPOSITE

OTHER SURFACES:

- GALVANIZED

MFK.	QTY.	OPENING SIZE		OPERATION	R.H. L.H.	OPTION	PROJECT:	ARCHITECT:	CONTRACTOR:	DISTRIBUTOR:	DATE:	SHEET:	OF:	BY:	REF.#
		WIDTH 'W'	HEIGHT 'H'												
MODEL 283-14 MINI/SELF STORAGE WINDLOCK SHEET DOOR															



4255 McEver Industrial Dr.
Acworth, GA 30101
PH:(770) 974-2600
Fax:(770) 974-1455
www.astadoor.com

ASTA Door Corporation

Asta Door Corporation is not responsible for the use of improper installation procedures, structural supports as well as field inspection prior to manufacturing and installation.

APPROVAL SIGNATURE: _____ DATE: _____