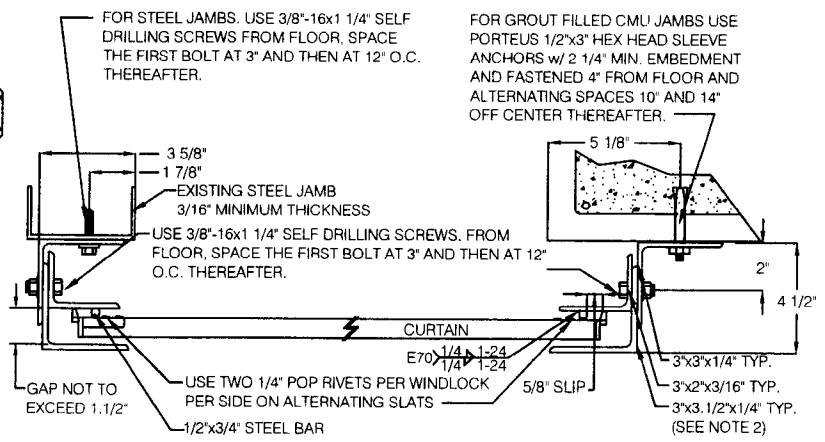


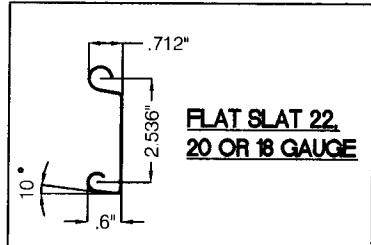
INTERIOR ELEVATION

SIDE ELEVATION

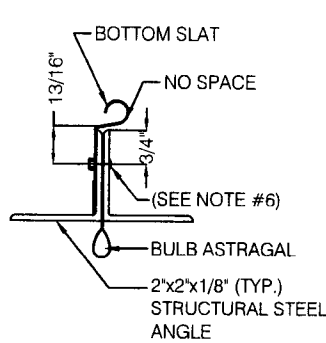


STEEL JAMB

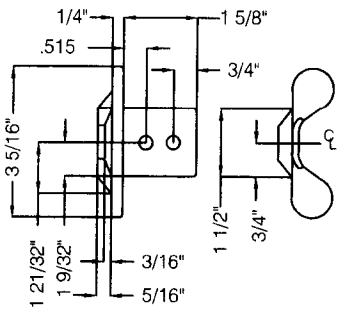
CMU POURED BLOCK JAMB



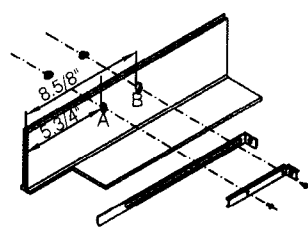
FLAT SLAT 22, 20 OR 18 GAUGE



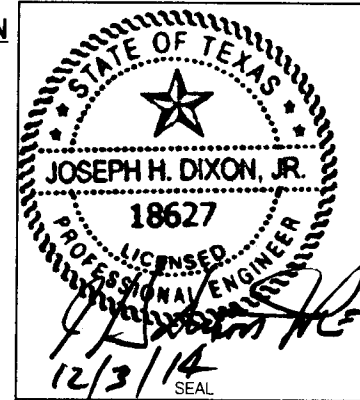
BOTTOM BAR



MATERIAL: CAST IRON WINDLOCK



SLIDE BOLT LOCK



ASTA Door Corporation
 4255 McEver Industrial Dr.
 Acworth, GA 30101
 PH: (770) 974-2600/Fax: (770) 974-1455
 www.astadoor.com

400 SERIES FLAT SLAT CERTIFIED WINDLOAD RATED ROLLING STEEL SERVICE DOOR

SCALE: VARIES (DO NOT SCALE DRAWINGS)
 TOLERANCES
 FRACTION = +/- 1/32
 .X = +/- .032
 .XX = +/- .015
 .XXX = +/- .005 < +/- 5
 DRAWN BY: BCLLC
 ISSUE: 12-03-14

TEST SIZE 14'-0" x 10'	DESIGN PRESSURE +/- 500	TEST PRESSURE +/- 750
MODELS 422-22 GAUGE 420-20 GAUGE 418-18 GAUGE	TEST LOCATION ELEMENT-ORLANDO 124 PREMIER ROAD ORLANDO, FL 32822	

GENERAL NOTES:

1. STEEL USED FOR SLATS IS ASTM-A653 WITH MINIMUM YIELD OF 50 KSI AND TENSILE OF 60 KSI.
2. GUIDES AND BOTTOM BAR COMPOSED OF STRUCTURAL STEEL ANGLES WITH MINIMUM YIELD STRENGTH OF 36 KSI.
3. THE WINDLOCKS ARE ATTACHED TO EVERY OTHER SLAT BEGINNING AT THE BOTTOM SLAT. WINDLOCKS ARE ATTACHED USING TWO - 1/4" x 15/32" STEEL, ZINC PLATED RIVETS.
4. THIS DOOR HAS BEEN DESIGNED AND TESTED IN ACCORDANCE WITH THE FLORIDA BUILDING CODE AND THE INTERNATIONAL BUILDING CODE. THE DESIGN WIND PRESSURES REQUIRED FOR ANY DOOR SHALL BE DETERMINED USING THE APPROPRIATE SECTION OF THE CODE HAVING JURISDICTION WHERE THE BUILDING IS LOCATED.
5. THIS DOOR HAS BEEN SUCCESSFULLY TESTED TO:
 - THE UNIFORM STATIC AIR PRESSURE TEST PER ASTM E-330 AND DASMA 108-05. TO A DESIGN LOAD PRESSURE OF +/- 50.0 PSF AND A TESTED PRESSURE OF +/- 75.0 PSF.
6. ALL FASTENERS SHALL BE GALVANIZED OR ZINC COATED WITH A MINIMUM TENSILE STRENGTH OF 60KSI.
7. FOR GROUT FILLED CMU JAMBS. USE PORTEUS 1/2" x 3" HEX HEAD SLEEVE ANCHORS WITH 2 1/4" MINIMUM EMBEDMENT AND FASTENED 4" FROM FLOOR AND ALTERNATING SPACED 10" AND 14" OFF CENTER THEREAFTER.
8. BOTTOM BAR ASSEMBLY FASTENED 5 3/4" FROM EACH END AND 12" O.C. FROM CENTER USING 5/16" x 1" CARRIAGE BOLTS.

	4255 McEver Industrial Dr. Acworth, GA 30101 PH: (770) 974-2600/Fax: (770) 974-1455 www.astadoor.com		
	400 SERIES FLAT SLAT CERTIFIED WINDLOAD RATED ROLLING STEEL SERVICE DOOR		
SCALE : VARIES (DO NOT SCALE DRAWINGS) TOLERANCES FRACTION = +/- 1/32 .X = +/- .032 .XX = +/- .015 .XXX = +/- .005 < =/- 5	TEST SIZE 14'-0"W x 10'H	DESIGN PRESSURE +/- 50.0	TEST PRESSURE +/- 75.0
DRAWN BY: BCLLC ISSUE: 12-03-14	MODELS 422-22 GAUGE 420-20 GAUGE 418-18 GAUGE	TEST LOCATION ELEMENT-ORLANDO 124 PREMIER ROAD ORLANDO, FL 32822	
DRAWING # 607-6CMU-400FM			SHEET 2 OF 3

	Width	Design Windload		Flat Slat Door	
	ft	Pos psf	Neg psf	Model	gage in
14'-0" x 10'-0" Test Door	14	50	50	422-22	0.029
Calibration calculations for test door				420-20	
				418-18	
Comparative forces by calculation to determine maximum design pressure					
Max Door Size					
8 x 30	8	81.1	81.1	422-22	0.029
9 x 30	9	81.1	81.1	422-22	0.029
10 x 30	10	81.1	81.1	422-22	0.029
11 x 30	11	81.1	81.1	422-22	0.029
12 x 30	12	69.1	69.1	422-22	0.029
13 x 30	13	58.3	58.3	422-22	0.029
14 x 30	14	50.0	50.0	422-22	0.029
15 x 30	15	43.5	43.5	422-22	0.029
16 x 30	16	38.3	38.3	422-22	0.029
17 x 30	17	34.1	34.1	422-22	0.029
18 x 30	18	30.6	30.6	422-22	0.029

Summary of Catenary Forces for alternative doors
 Compared to Element Materials Technology Report No.: ESP010181P-4, dated 08/21/13
 Rolling Steel Slat Door (Flat Slat)
 Test Door: 14'-0" wide x 10' high, Design Windload +/- 50 psf
 Static air pressure test conducted in accordance with ASTM E330-02 and DASMA 108-05

Design wind forces are calculated to produce catenary forces at the guides equal to or less than those calculated for the test door. This indicates that the curtain, windlocks, windlock connections, guide angles, and jamb anchorages will all be stressed to approximately the same as those in the test door, provided that the door is constructed the same for all opening widths.

STATE OF TEXAS
 JOSEPH H. DIXON, JR.
 18627
 LICENSED PROFESSIONAL ENGINEER
 12/3/14
 SEAL

SCALE: VARIES (DO NOT SCALE DRAWINGS)
 TOLERANCES
 FRACTION = +/- 1/32
 X = +/- .032
 .XX = +/- .015
 .XXX = +/- .005 < +/- 5

DRAWN BY: BCLLC
 ISSUE: 12-03-14

4255 McEver Industrial Dr.
 Acworth, GA 30101
 PH: (770) 974-2600/Fax: (770) 974-1455
 www.astadoor.com

**400 SERIES FLAT SLAT CERTIFIED
 WINDLOAD RATED ROLLING STEEL
 SERVICE DOOR**

TEST SIZE 14'-0"W x 10'H	DESIGN PRESSURE +/- 50.0	TEST PRESSURE +/- 75.0
MODELS 422-22 GAUGE 420-20 GAUGE 418-18 GAUGE	TEST LOCATION ELEMENT-ORLANDO 124 PREMIER ROAD ORLANDO, FL 32822	

DRAWING # 607-6CMU-400FM SHEET 3 OF 3